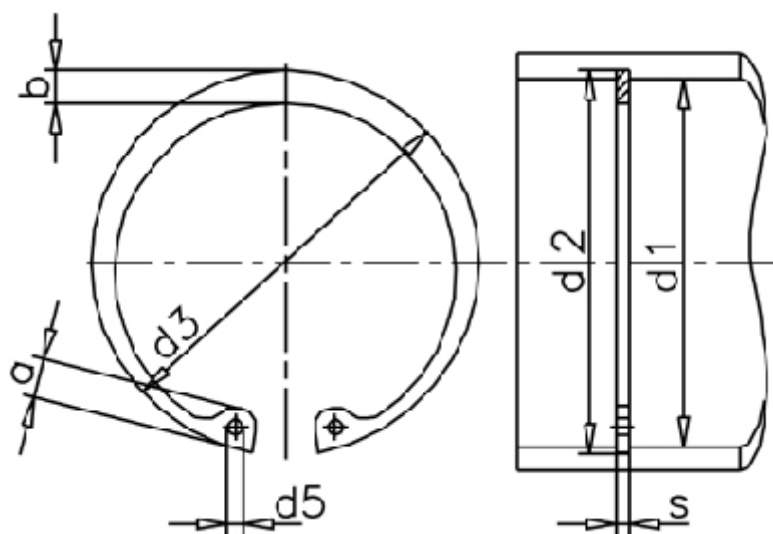


Article number: 0102125

Description: Retaining ring J155 DIN472  
Spring steel

## Measures



|                     |          |               |          |                |              |
|---------------------|----------|---------------|----------|----------------|--------------|
| a max               | = 12.0   | FN kN         | = 206.00 | t              | = 2.50       |
| AN mm <sup>2</sup>  | = 1237.0 | FRg kN        | = 55.0   | tol            | = +0,63      |
| b                   | = 11.4   | FR kN         | = 324.0  | tol            | = +1,50-0,63 |
| d1                  | = 155    | g             | = 3.5    | tol            | = -0.10      |
| d2                  | = 160.0  | K kN-mm       | = 743.0  | Tong           | = ZGJ-5      |
| d3                  | = 164.00 | m min         | = 4.15   | Weight kg/1000 | = 107.00     |
| d5 min              | = 4.0    | Nominal drive | = 7.5    |                |              |
| Description = J 155 |          | s             | = 4.00   |                |              |